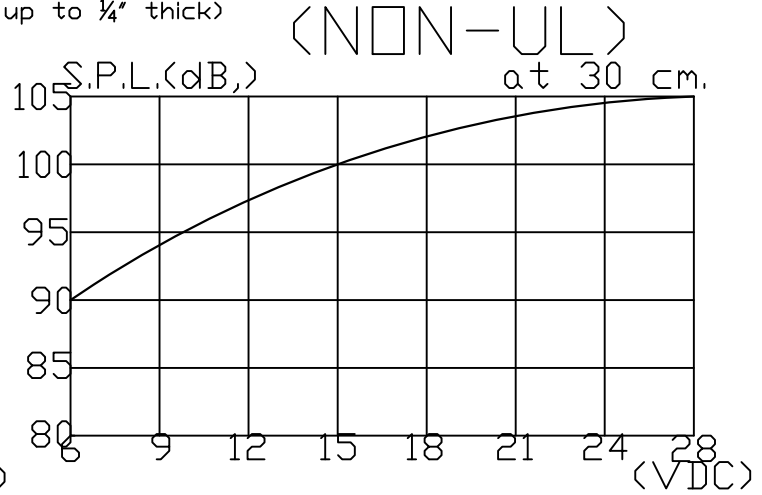
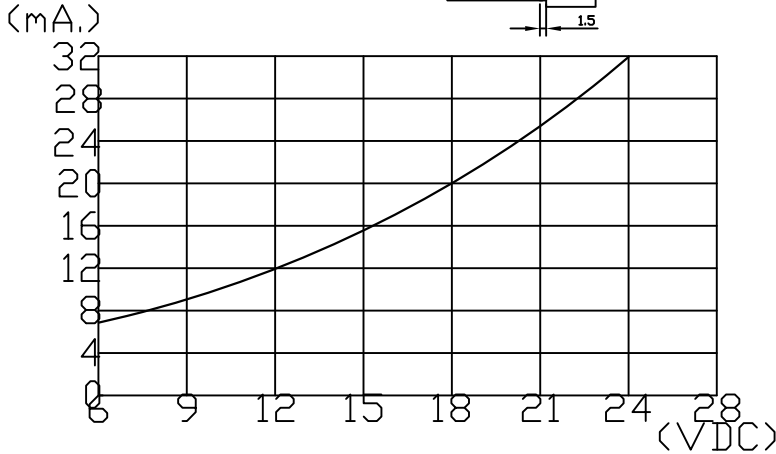
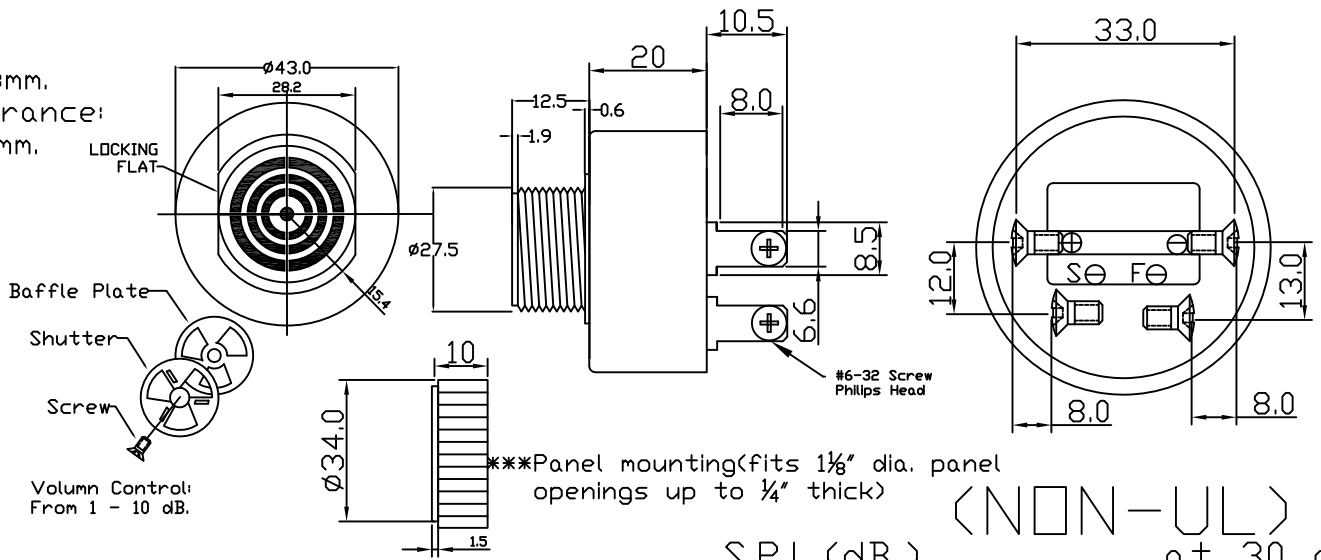


Unit:mm.
Tolerance:
±0.5mm.



Oscillating Frequency(Hz)	2900±500Hz.
Operating Voltage(VDC)	6~28
Current Consumption at 12VDC (mA.maximum)	12
Sound Pressure Level at 30cm/12VDC(dB.minimum)	95
Tone (FAST PULSE:3Hz, SLOW PULSE:1.2Hz.±20%)	CONT.+FAST PULSE +SLOW PULSE
Operating Temperature(°)	-20~+60
Storage Temperature(°)	-30~+70
Weight (Gram)	40

PIEZO AUDIO INDICATOR		PART NO.
DRAWN 2012/6/1		SU2959SA(RoHS)
UNIT: mm.		MATERIAL
EDITION: 1		ABS UL-94 1/16" HB
SHEET 1 OF 1		
KOYO ELECTRONICS CO.,LTD.		
Email Add.:		
koyoelectronics@pchome.com.tw		