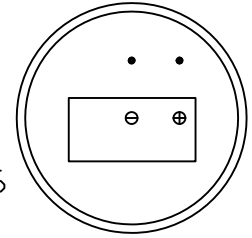
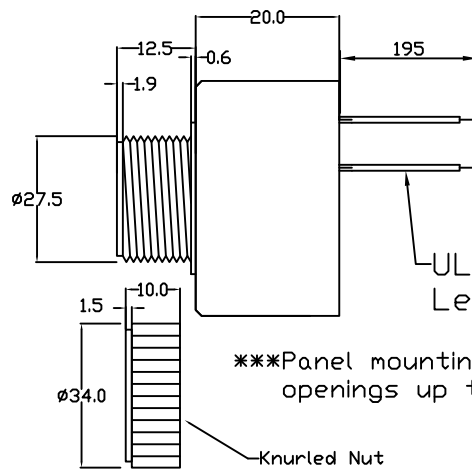
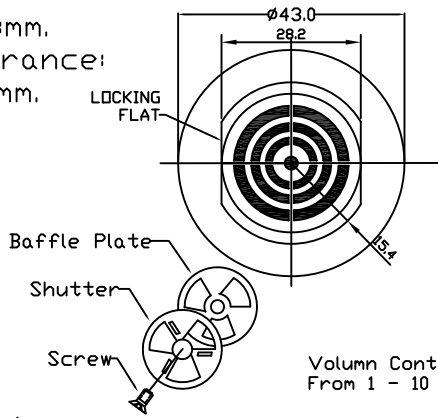
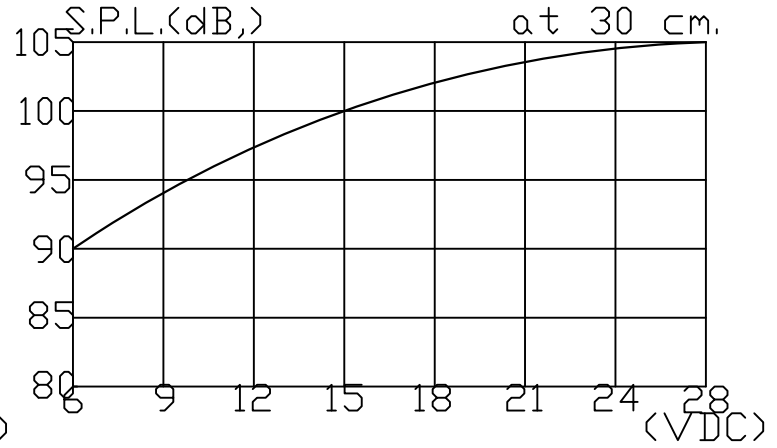
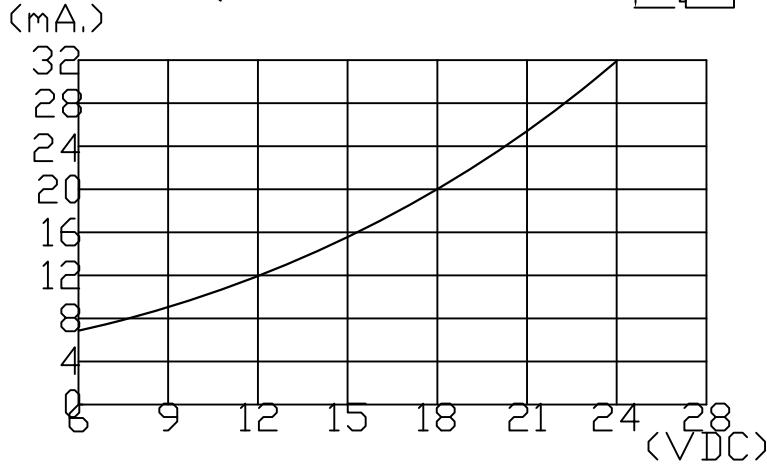


Unit:mm.
Tolerance:
±0.5mm.



***Panel mounting(fits 1/8" dia. panel openings up to 1/4" thick)

(NON-UL)



Oscillating Frequency(Hz)	2900±500Hz.
Operating Voltage(VDC)	6~28
Current Consumption at 12VDC (mA.maximum)	12
Sound Pressure Level at 30cm/12VDC(dB.minimum)	92
Tone	Fast Pulse(3Hz.)
Operating Temperature(°)	-20~+60
Storage Temperature(°)	-30~+70
Weight (Gram)	36

PIEZO AUDIO INDICATOR		PART NO.
DRAWN 2016/06/01		SU2951AL(RoHS)
UNIT: mm.		
EDITION: 1		MATERIAL
SHEET 1 OF 1		ABS UL-94 1/16" HB

KOYO ELECTRONICS CO.,LTD.

Email Add:

koyoelectronics@pchome.com.tw