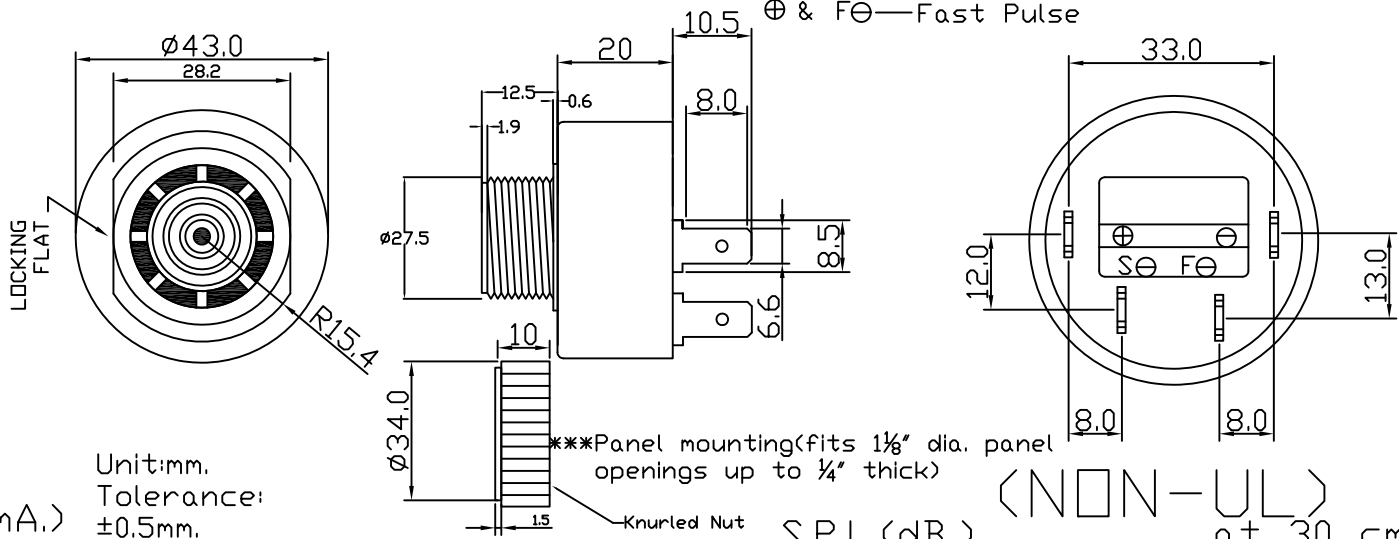
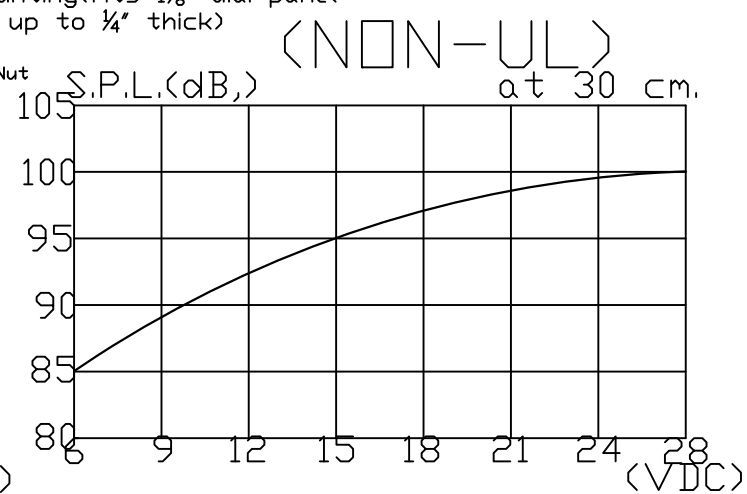
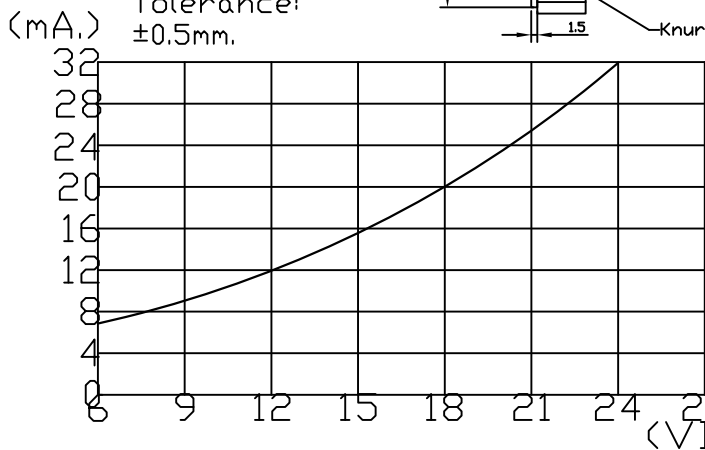


Power Connection:(for Tone)
 ⊕ & ⊖ — Continuous
 ⊕ & S⊖ — Slow Pulse
 ⊕ & F⊖ — Fast Pulse



Unit:mm.
 Tolerance:
 ±0.5mm.



Oscillating Frequency(Hz)	2900±500Hz.
Operating Voltage(VDC)	6~28
Current Consumption at 12VDC (mA.maximum)	12
Sound Pressure Level at 30cm/12VDC(dB.minimum)	92
Tone (FAST PULSE:3Hz. SLOW PULSE:1.2Hz.±20%)	CONT.+FAST PULSE +SLOW PULSE
Operating Temperature(°)	-20~+60
Storage Temperature(°)	-30~+70
Weight (Gram)	40

PIEZO AUDIO INDICATOR		PART NO.
DRAWN 2012/6/1		2959A(RoHS)
UNIT: mm.		
EDITION: 1		MATERIAL
SHEET 1 OF 1		ABS UL-94 1/16" HB
KOYO ELECTRONICS CO.,LTD.		
Email Add.:		
koyoelectronics@pchome.com.tw		