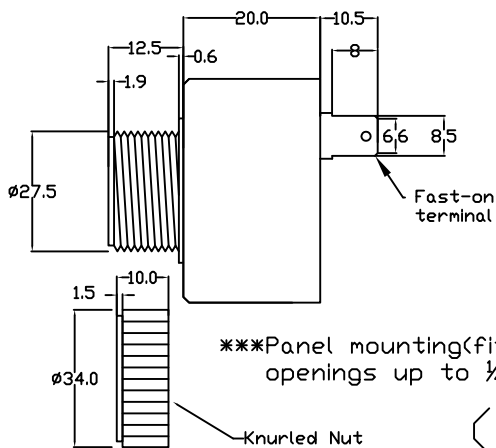
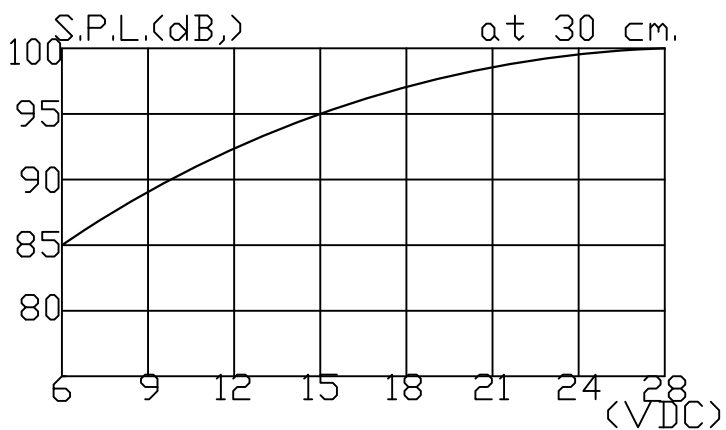
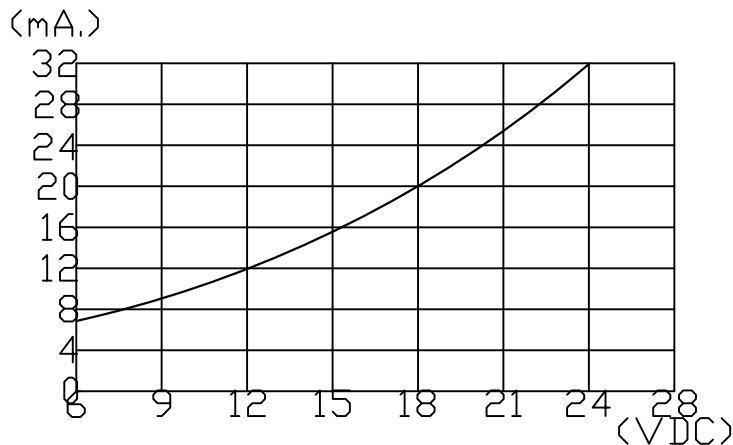
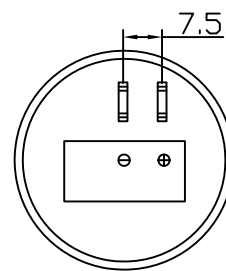


Unit:mm.  
Tolerance:  
±0.5mm.



\*\*\*Panel mounting (fits 1/8" dia. panel openings up to 1/4" thick)

(NON-UL)



Oscillating Frequency(Hz)	2900±500Hz.
Operating Voltage(VDC)	6~28
Current Consumption at 12VDC (mA.maximum)	12
Sound Pressure Level at 30cm/12VDC(dB.minimum)	92
Tone	Slow Pulse(1.2Hz.)
Operating Temperature(°)	-20~+60
Storage Temperature(°)	-30~+70
Weight (Gram)	36

PIEZO AUDIO INDICATOR		PART NO.
DRAWN 2012/3/01		2953A(RoHS)
UNIT: mm.		MATERIAL
EDITION: 1		ABS UL-94 1/16" HB
SHEET 1 OF 1		
KOYO ELECTRONICS CO.,LTD.		
Email Add.:		
koyoelectronics@pchome.com.tw		