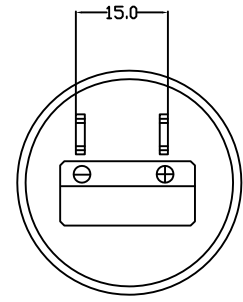
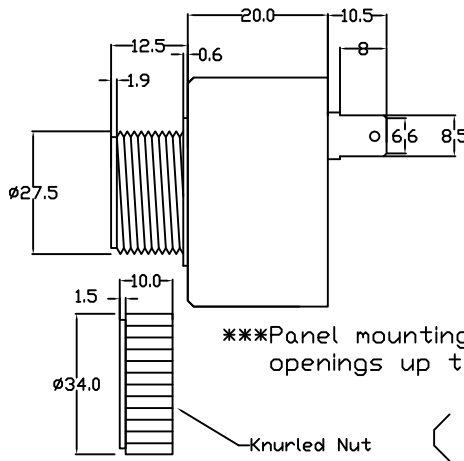
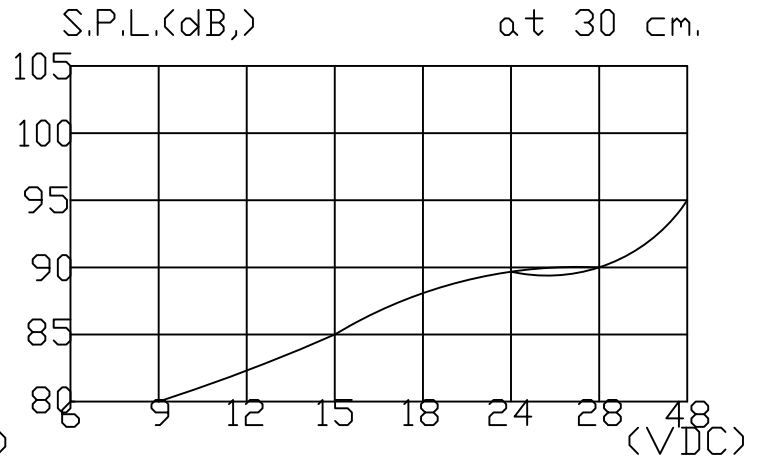
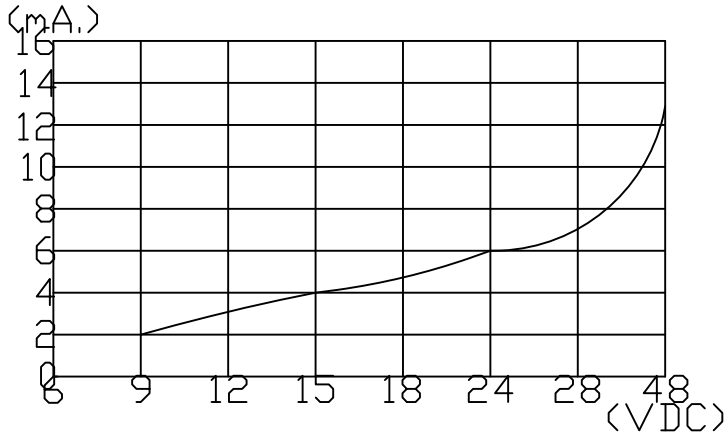


Unit:mm.
Tolerance:
±0.5mm.



(NON-UL)



Oscillating Frequency(Hz)	2900±500Hz.
Operating Voltage(VDC)	6~48
Current Consumption at 12VDC (mA.maximum)	3
Sound Pressure Level at 30cm/12VDC(dB.minimum)	80
Tone	Continuous
Operating Temperature(°)	-20~+60
Storage Temperature(°)	-30~+70
Weight (Gram)	35

PIEZO AUDIO INDICATOR		PART NO.
DRAWN 2012/6/1		2948(RoHS)
UNIT: mm.		MATERIAL
EDITION: 1		ABS UL-94 1/16" HB
SHEET 1 OF 1		
KOYO ELECTRONICS CO.,LTD.		
Email Add:		
koyoelectronics@pchome.com.tw		